

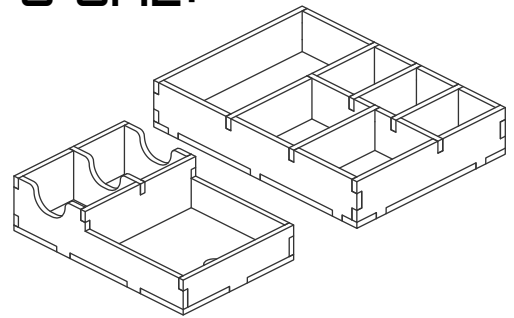
FS-JME+ Insert compatible with the Journeys in Middle Earth®: Spreading War® expansion

Assembly Instructions



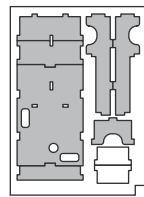
FS-JME+

The package contains two single sheets.
 After assembly the trays are added to the trays of FS-JME in the original game box.
 Ordinary PVA glue is required when assembling each tray.
 Please make sure you dry-assemble each tray correctly before gluing it together.
 Please check www.foldedspace.com for general assembly tips.

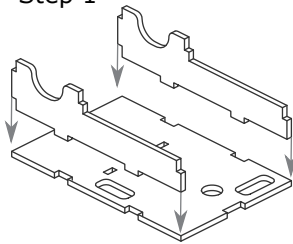


Tray 1

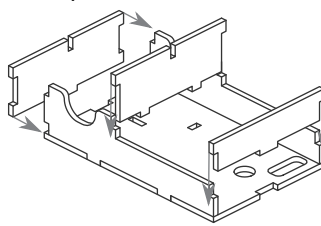
Sheet A



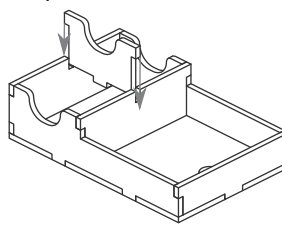
Step 1



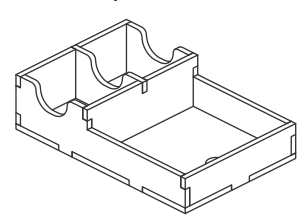
Step 2



Step 3

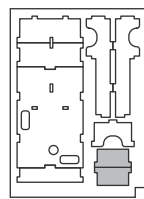


Finished tray

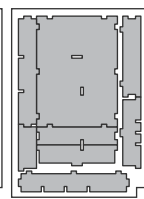


Tray 2

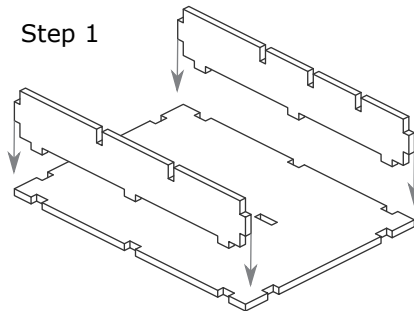
Sheet A



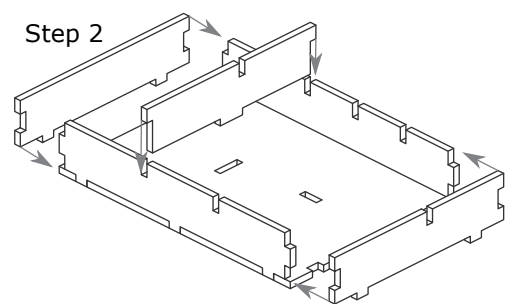
Sheet B



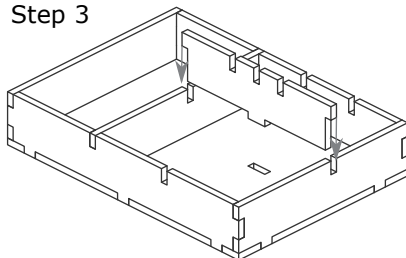
Step 1



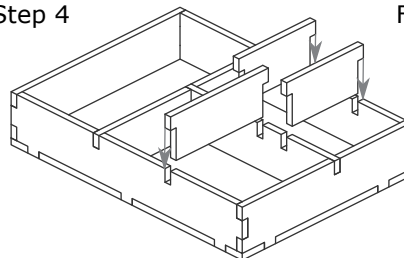
Step 2



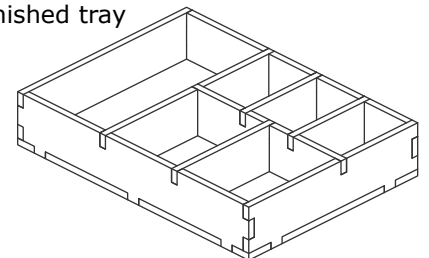
Step 3



Step 4



Finished tray



FS-JME+

Please check www.foldedspace.com for photos of this insert in use.

Tray legend:

Tray 1 - character, mount & item cards from the Spreading War expansion, and the siege engines & Mûmakil miniatures

Tray 2 - character, fellbeast, orcs with axes, and mercenaries with spears miniatures

Note: FS-JME+ is designed to work together with our FS-JME insert, essentially replacing the map tiles in the box with two new trays. All the map tiles should be placed in the Spreading War expansion box.

The other expansion components not mentioned above should be added to the FS-JME trays where similar components were stored before. Please check our FS-JME+ product page on our website for full details of what goes where and how to combine both products inside the base game box.

