

# FS-SKVAL Insert compatible with Shadow Kingdoms of Valeria®, including the Rise of Titans® and Riftlands® expansions



## Assembly Instructions

The package contains four sheets: 1 double and 2 single sheets.

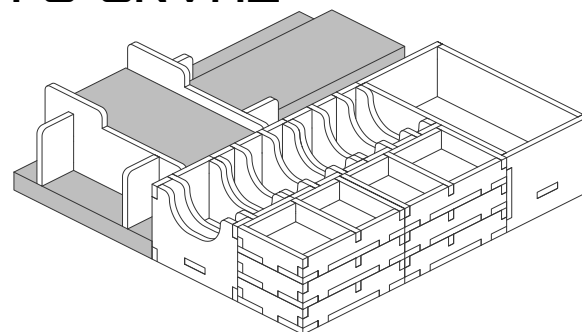
After assembly the trays are put in up to three layers in the original game box.

Ordinary PVA glue is required when assembling each tray.

Please make sure you dry-assemble each tray correctly before gluing it together.

Please check [www.foldedspace.com](http://www.foldedspace.com) for general assembly tips.

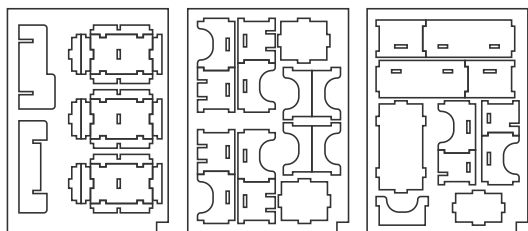
## FS-SKVAL



Sheet 1 & 2

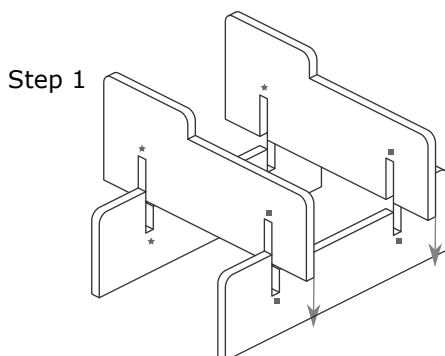
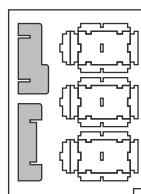
Sheet 3

Sheet 4

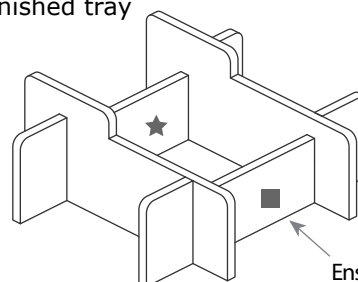


### Tray 1 (match the ★ and ■ marked pieces to the slots with the same marking)

Sheet 1 & 2



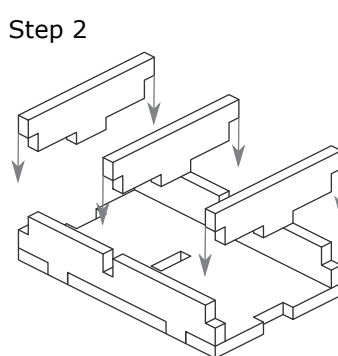
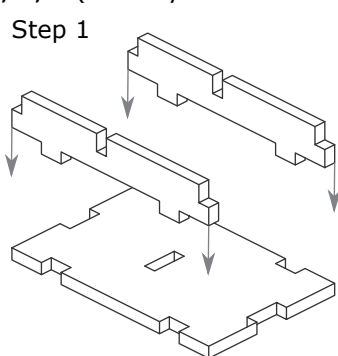
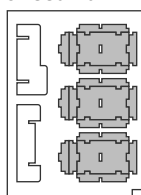
Finished tray



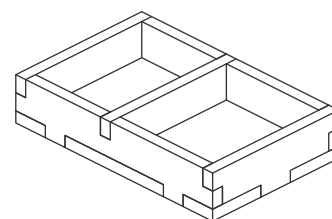
Ensure that the printed designs are on this side of the wall.

### Tray 2a, b, c, d, e, f (the trays are identical)

Sheet 1 & 2

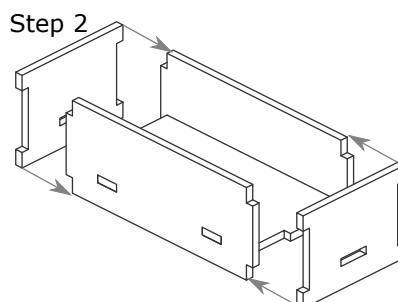
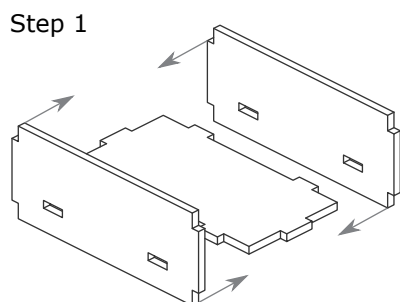
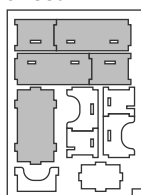


Finished tray

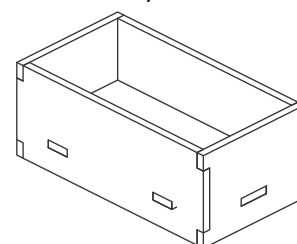


### Tray 3

Sheet 4



Finished tray

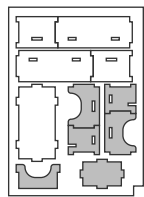


# FS-SKVAL Insert compatible with Shadow Kingdoms of Valeria®, including the Rise of Titans® and Riftlands® expansions

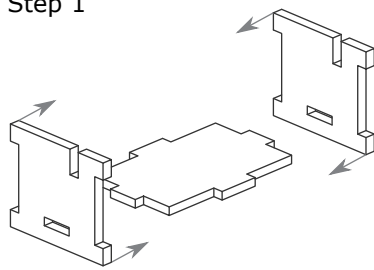


## Tray 4

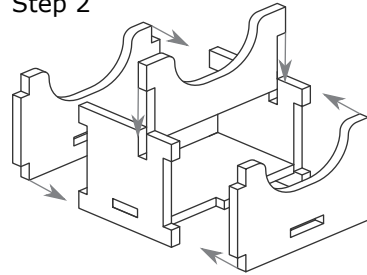
Sheet 4



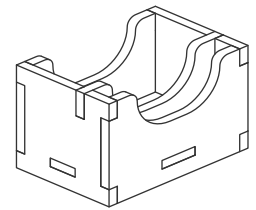
Step 1



Step 2

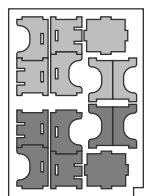


Finished tray



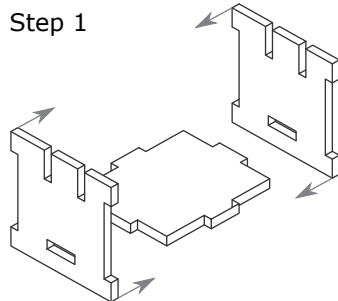
## Trays 5a, 5b (check the end walls are correctly orientated by ensuring the dividers match the base print)

Sheet 3

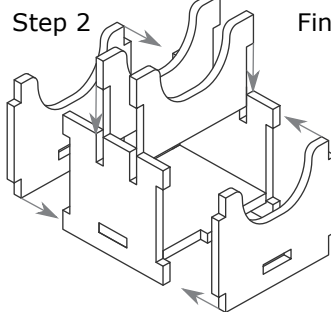


} 5a  
} 5b

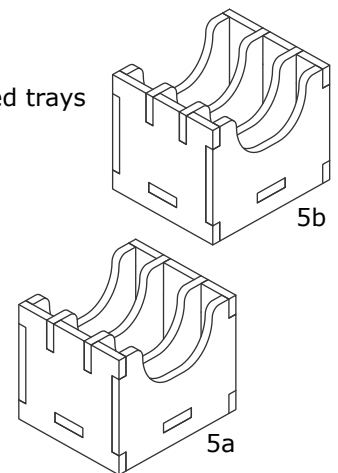
Step 1



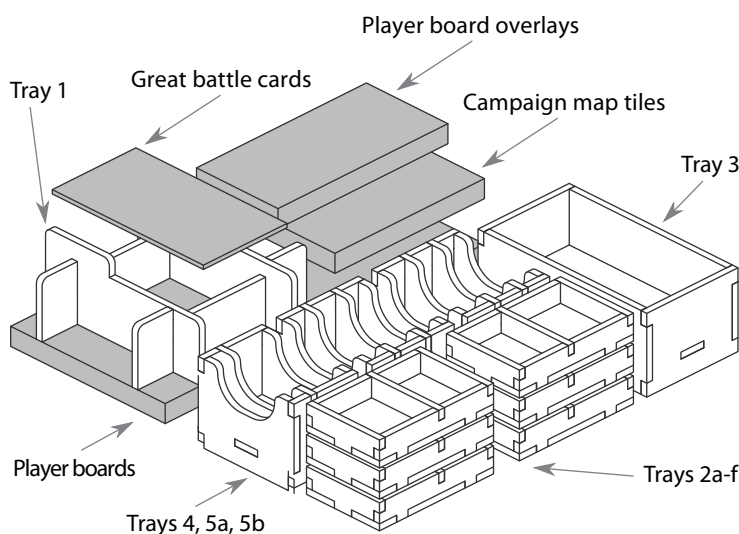
Step 2



Finished trays



## FS-SKVAL



Please check [www.foldedspace.com](http://www.foldedspace.com) for photos of this insert in use.

### Tray legend

- Tray 1 - great battle cards
- Tray 2a, b, c, d, e - player pieces
- Tray 2f - gems & starting player token, and wraith dice
- Tray 3 - dice
- Tray 4 - battle plan cards and victory point resolution tile
- Tray 5a - champion cards
- Tray 5b - ancient spell, relic and award cards

Note: the bags are folded and placed on top of the player board overlay tiles, together with the five sided shrine of the titans tile.