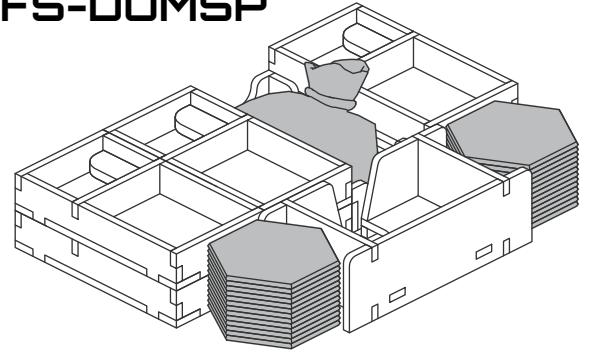


# FS-DOMSP Insert compatible with Dominant Species® and Dominant Species: Marine®



## FS-DOMSP

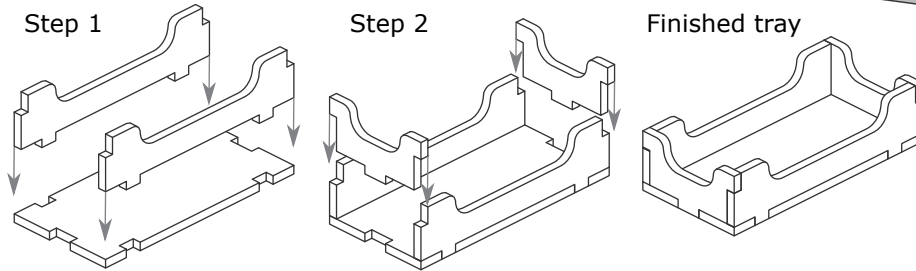
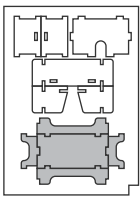


## Assembly Instructions

The package contains 3 sheets: one double and one single sheet.  
 After assembly the trays are put in up to two layers in the original game box.  
 Ordinary PVA glue is required when assembling each tray.  
 Please make sure you dry-assemble each tray correctly before gluing it together.  
 Please check [www.foldedspace.net](http://www.foldedspace.net) for general assembly tips.

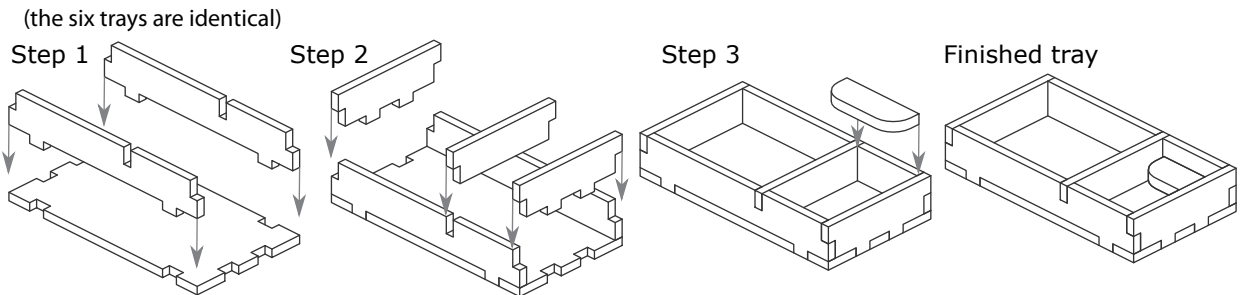
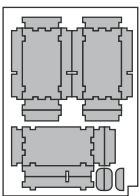
### Tray 1

Sheet B



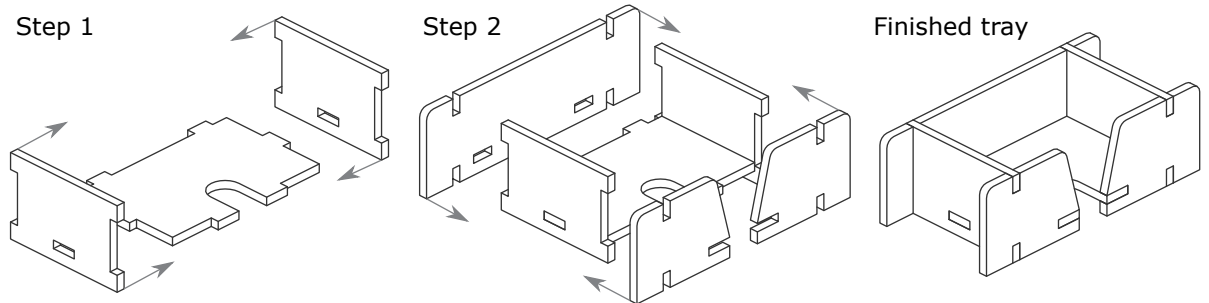
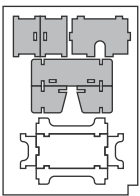
### Tray 2a-2f

Sheet A1, A2



### Tray 3

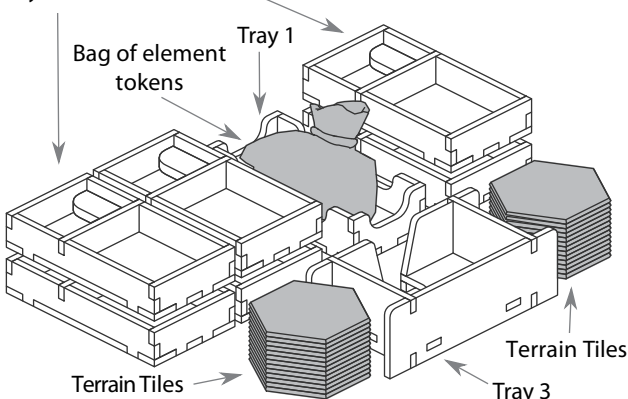
Sheet B



## FS-DOMSP

Please check [www.foldedspace.net](http://www.foldedspace.net) for photos of this insert in use.

Trays 2a, 2b, 2c, 2d, 2e, 2f



### Tray legend Dominant Species®:

- Tray 1 - filler tray and storage for bag of element tokens
- Tray 2a, b, c, d, e, f - player pieces
- Tray 3 - cards

### Tray legend Dominant Species: Marine®:

- Tray 1 - filler tray and storage for bags
- Tray 2a, b, c, d - player pieces
- Tray 2e - special action pawns, control & target markers and terrain markers.
- Tray 2f - inverted empty filler tray
- Tray 3 - cards

Note: for both games, the element tokens should be stored inside their cloth bag ready for the next game.

**Tip:** Keep the instructions in the bottom of your board game box as a reminder of how the insert fits together.