

FS-RFGv2 insert

compatible with Roll for the Galaxy®,
incl. the Ambition® and Rivalry® expansions

Assembly Instructions

The package contains 4 sheets, two of them are identical to the other two.

The parts marked in sheets A2 and B2 are to be discarded.

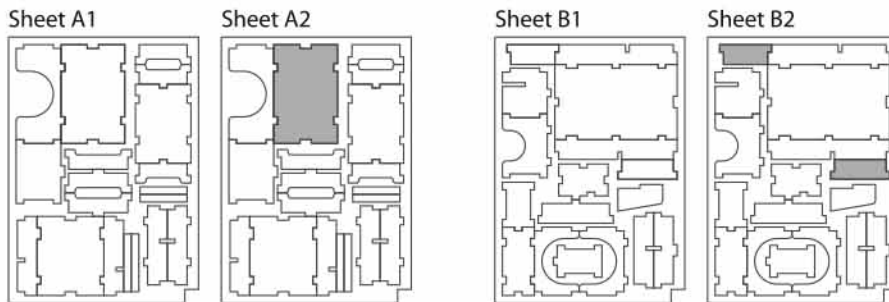
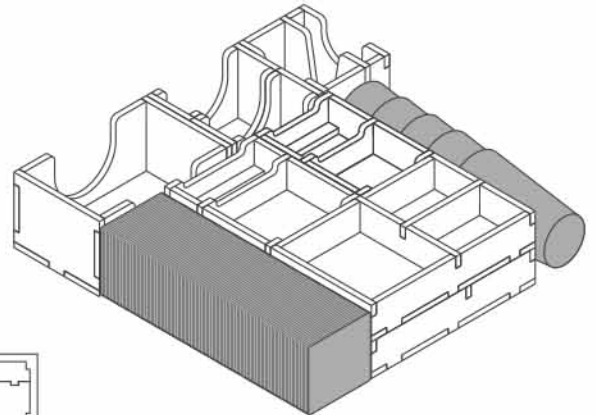
After assembly the trays are put in two layers in the original game box.

Ordinary PVA glue is required when assembling each tray.

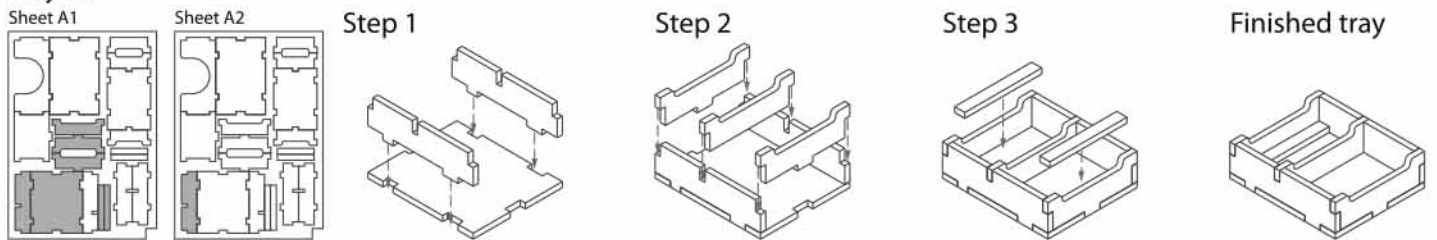
Please make sure you dry-assemble each tray correctly before gluing it together.

Please check www.foldedspace.net for general assembly tips.

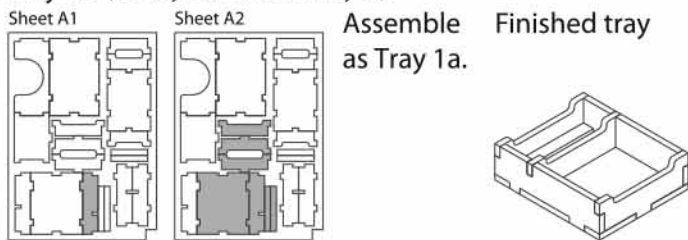
FS-RFGv2



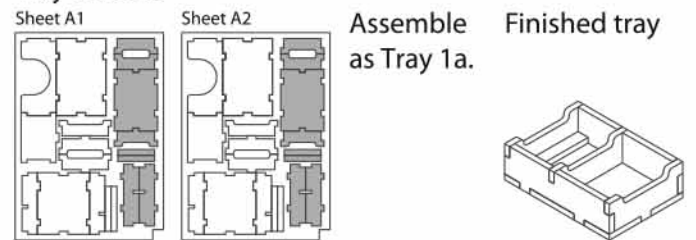
Tray 1a



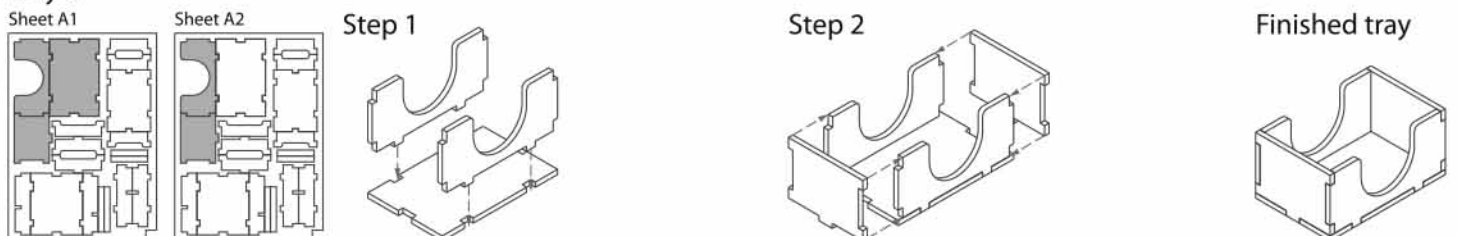
Tray 1b (the tray is same size as Tray 1a)



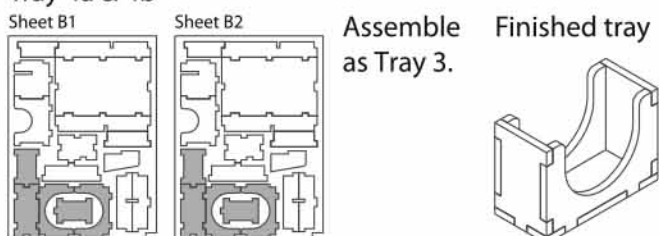
Tray 2a & 2b



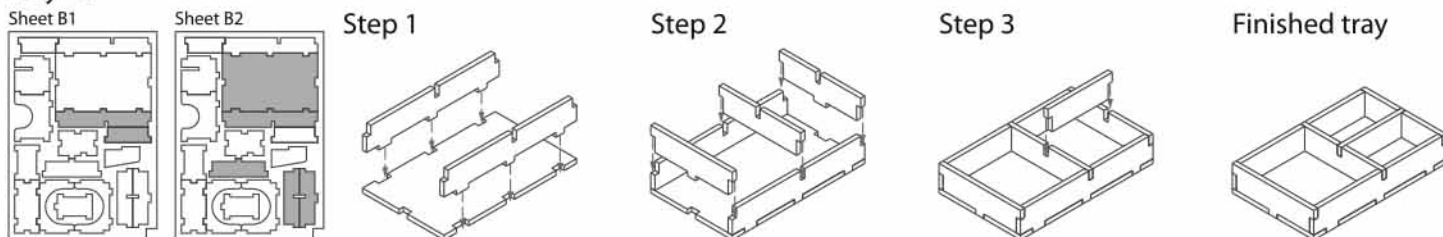
Tray 3



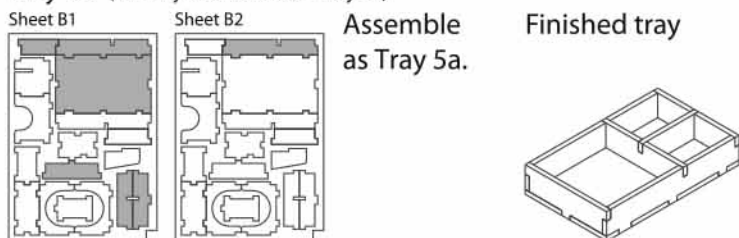
Tray 4a & 4b



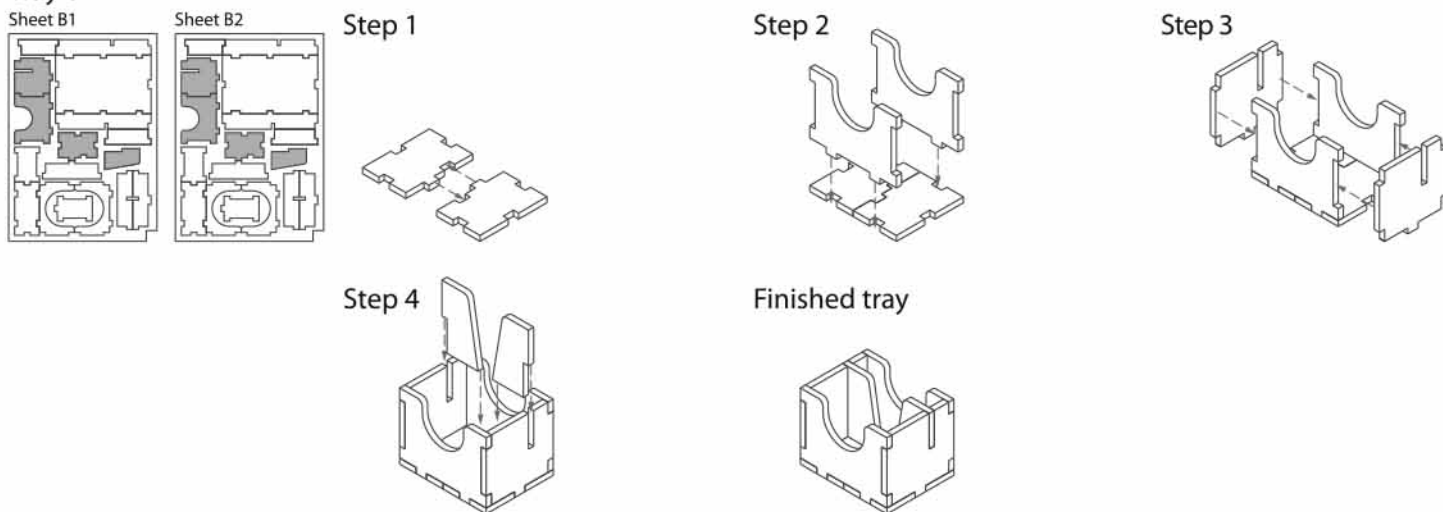
Tray 5a



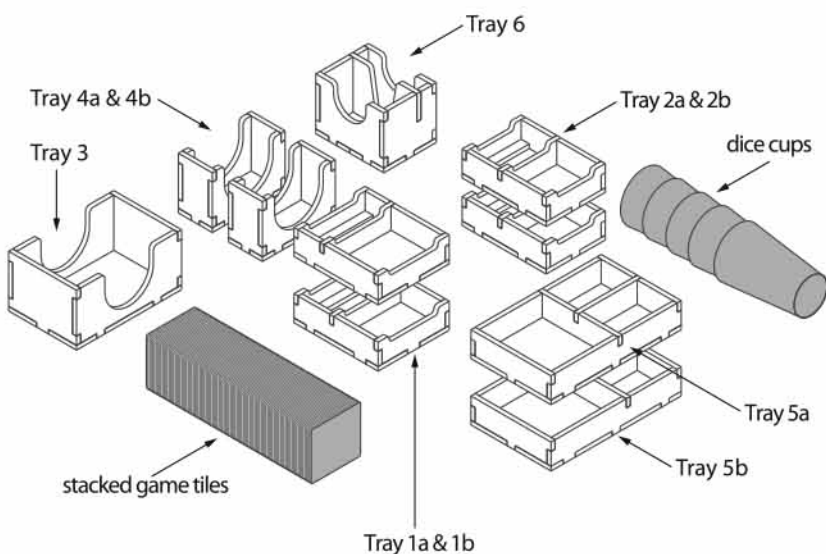
Tray 5b (the tray is same size as Tray 5a)



Tray 6



FS-RFGv2



Please check www.foldedspace.net for photos of this insert in use.

Tray legend:

- Tray 1a - red and brown dice
- Tray 1b - black, orange, and dark blue dice together, and pink dice separately
- Tray 2a - white and yellow
- Tray 2b - cyan and green
- Tray 3 - faction tiles and original phase strips
- Tray 4a, b - objectives and treasury limit strips
- Tray 5a - player pieces, large yellow dice and talent counters
- Tray 5b - dice tools, large black die, and substitute counters, VP tokens, and large die faces
- Tray 6 - phase and home world tiles

Note: The large white dice are stored inside the topmost cup; The cloth bag is folded and stored on top of the stacked game tiles. The extended phase strips & priority track are placed vertically between the game tiles and trays 5a, b.