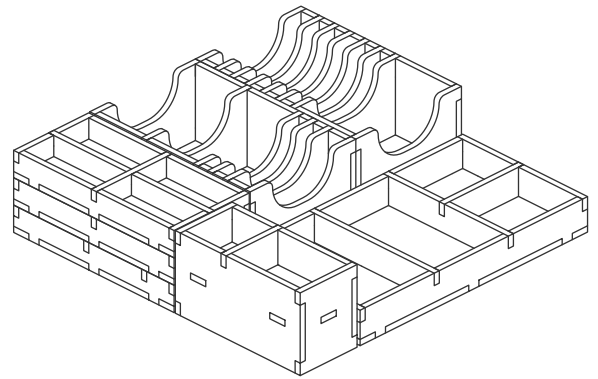


FS-SWORIM Insert compatible with Star Wars®: Outer Rim, including the Unfinished Business® expansion

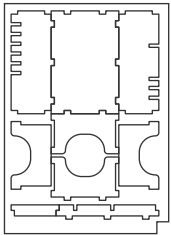
FS-SWORIM

Assembly Instructions

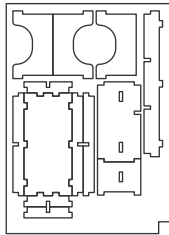
The package contains 5 sheets: two double and one single sheets.
After assembly the trays are put in up to three layers in the original game box.
Ordinary PVA glue is required when assembling each tray.
Please make sure you dry-assemble each tray correctly before gluing it together.
Please check www.foldedspace.com for general assembly tips.



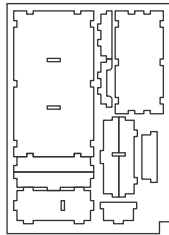
Sheet A1, A2



Sheet B1, B2



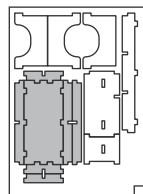
Sheet C



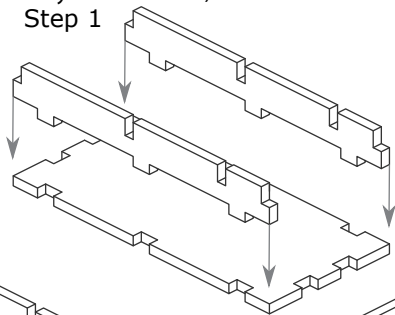
Tray 1a, 1b

Sheet B1, B2

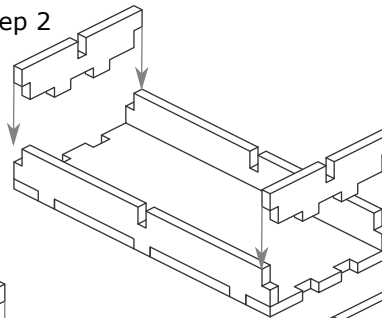
(the trays are identical)



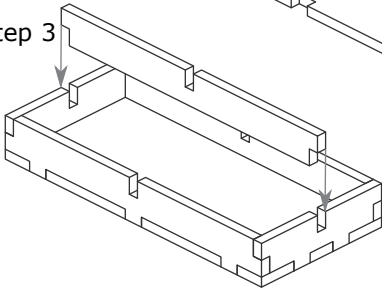
Step 1



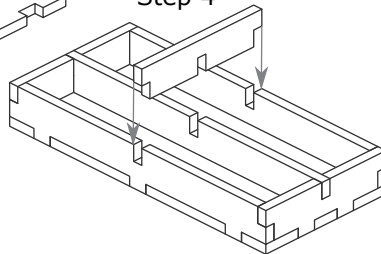
Step 2



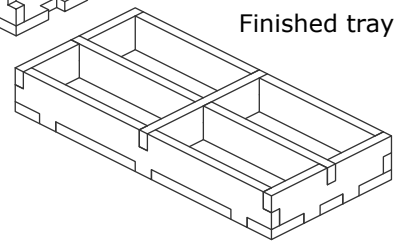
Step 3



Step 4



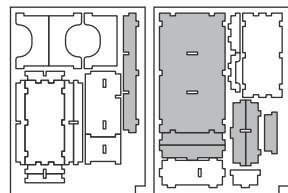
Finished tray



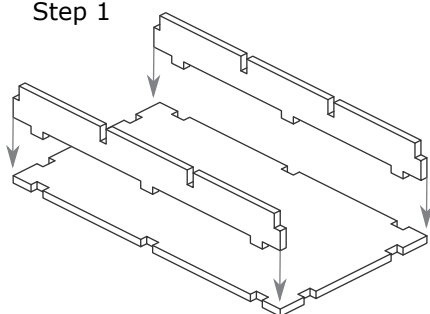
Tray 2

Sheet B1, B2

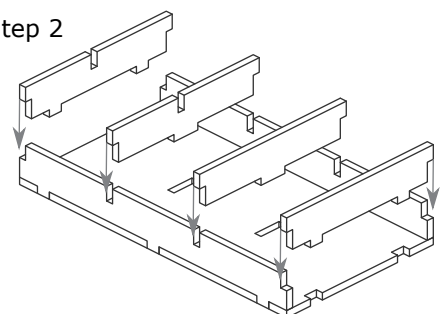
Sheet C



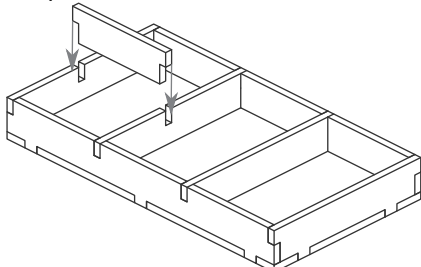
Step 1



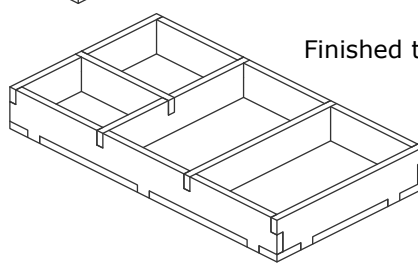
Step 2



Step 3



Finished tray

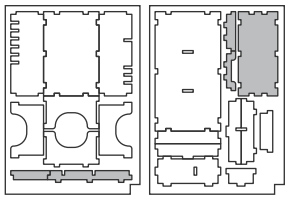


FS-SWORIM Insert compatible with Star Wars®: Outer Rim, including the Unfinished Business® expansion

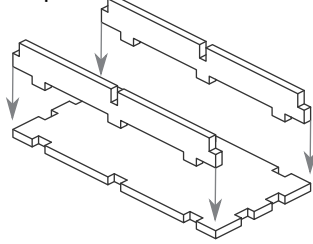


Tray 3

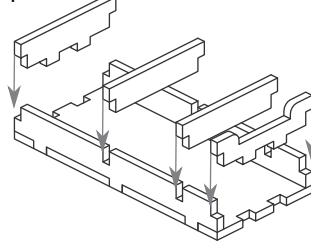
Sheet A1, A2 Sheet C



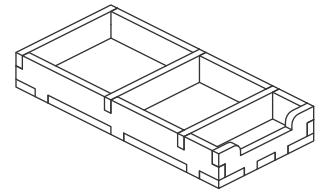
Step 1



Step 2

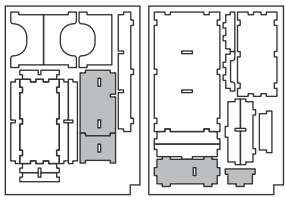


Finished Tray

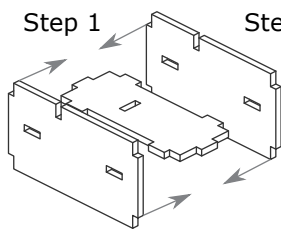


Tray 4

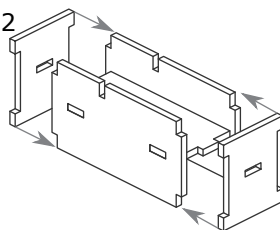
Sheet B1, B2 Sheet C



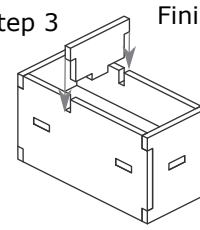
Step 1



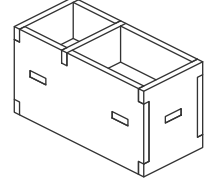
Step 2



Step 3

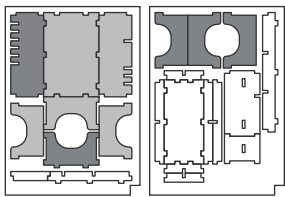


Finished Tray

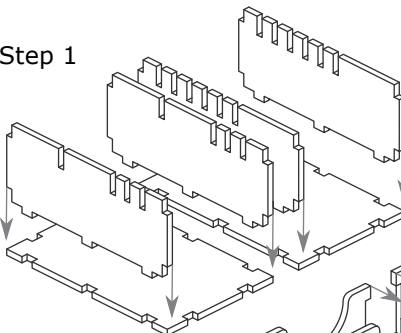


Tray 5a, 5b

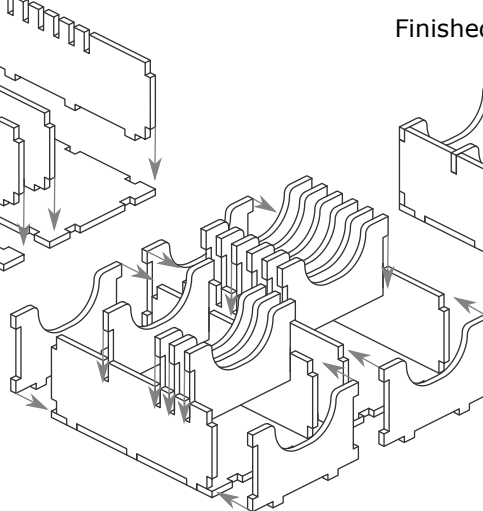
Sheet A1, A2 Sheet B1, B2



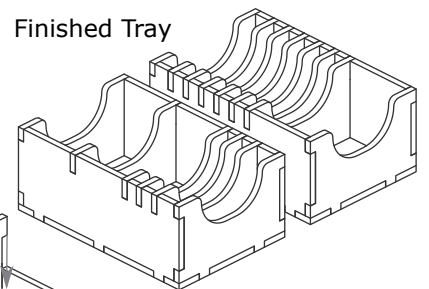
Step 1



Step 2



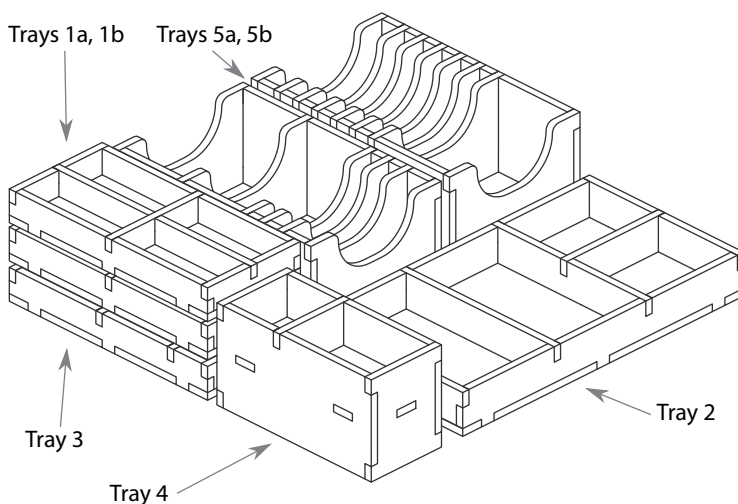
Finished Tray



FS-SWORIM

Trays 1a, 1b

Trays 5a, 5b



Please check www.foldedspace.com for photos of this insert in use.

Tray legend:

- Tray 1a - contact tokens
- Tray 1b - player pieces
- Tray 2 - character standees, dice, and debt tokens
- Tray 3 - credit tokens
- Tray 4 - goal and damage tokens
- Tray 5a - encounter, AI, character and reference cards
- Tray 5b - market and databank cards

Note: the player boards, ship sheets and map tiles are placed in a stack on top of Tray 2. Please see the product page on our website for details.