

# FS-NMS+ insert

compatible with Nemesis: Aftermath & Void Seeders®  
incl. the Carnomorph® expansion



## Assembly Instructions

The package contains 6 sheets, three of them are identical to the other three.

The parts marked in sheets B2 & C2 are to be discarded.

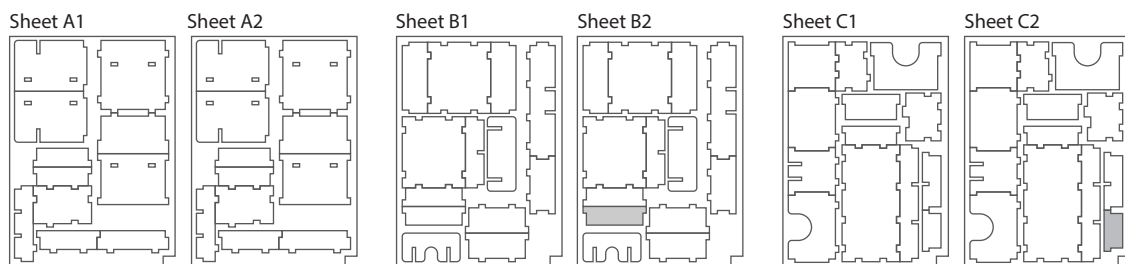
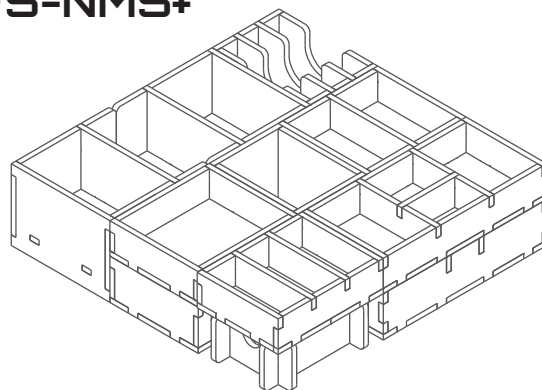
After assembly the trays are put in two layers in the original game box.

Ordinary PVA glue is required when assembling each tray.

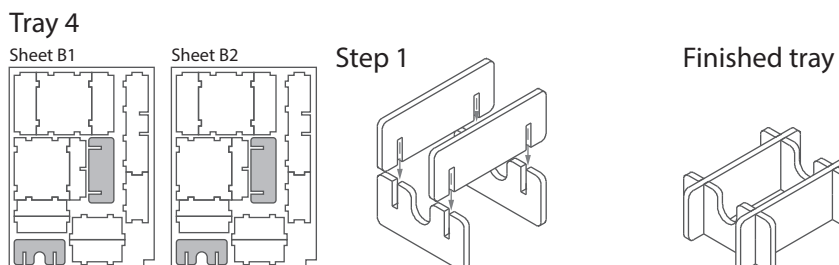
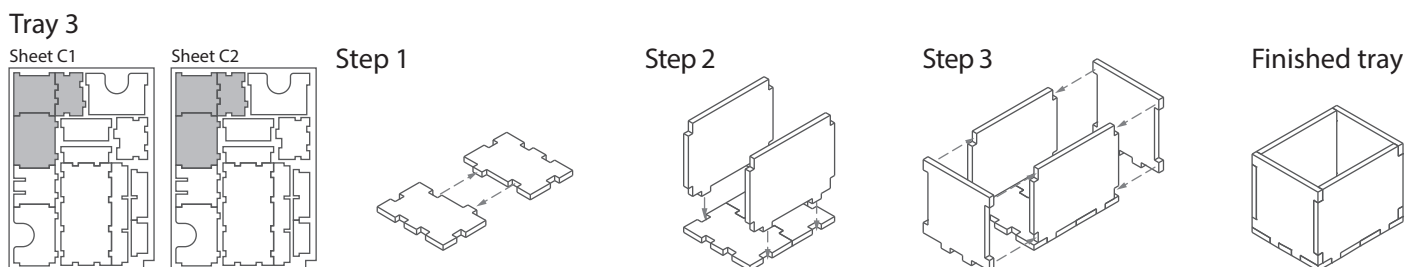
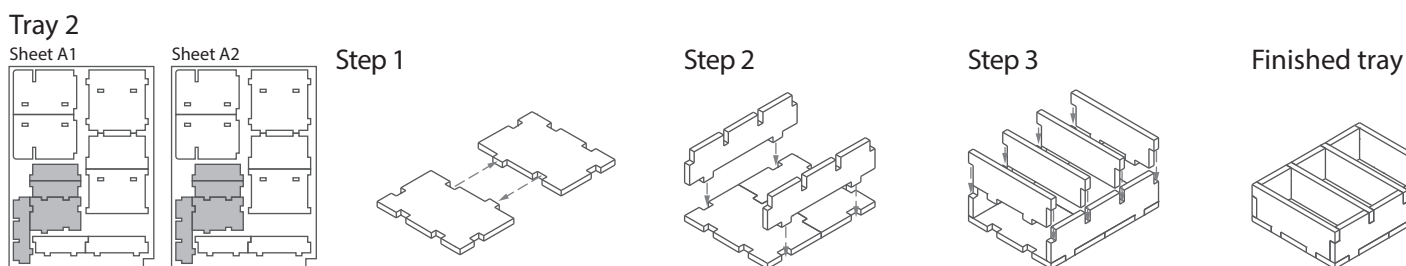
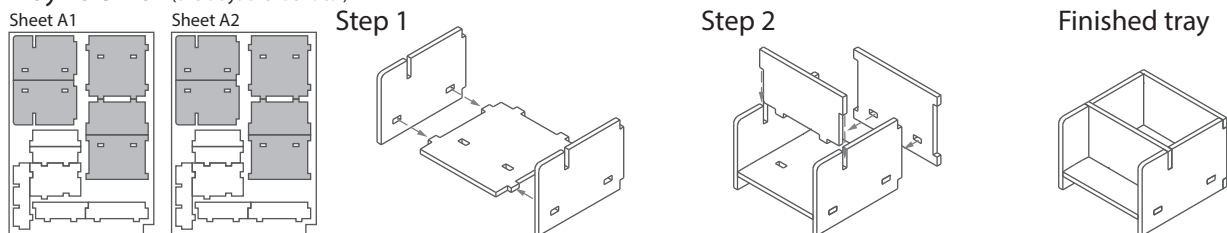
Please make sure you dry-assemble each tray correctly before gluing it together.

Please check [www.foldedspace.net](http://www.foldedspace.net) for general assembly tips.

## FS-NMS+



### Tray 1a & 1b (the trays are identical)

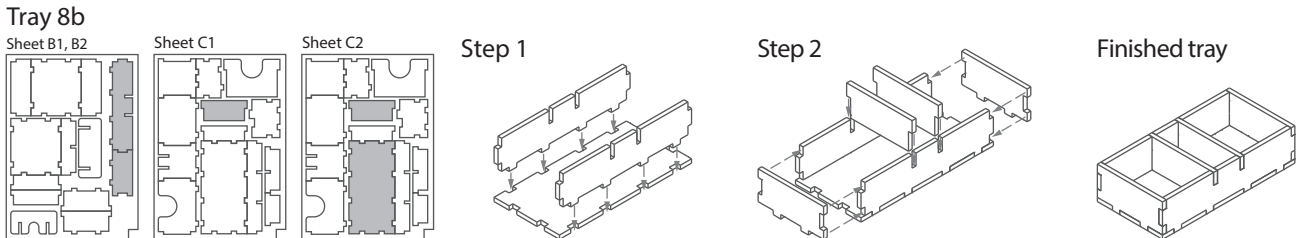
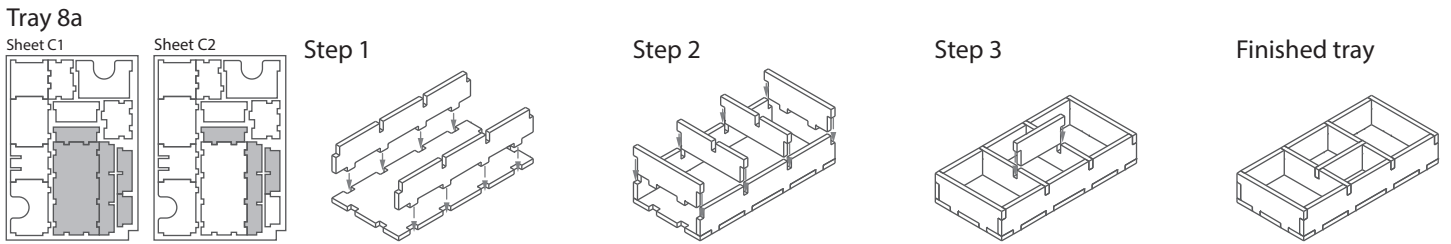
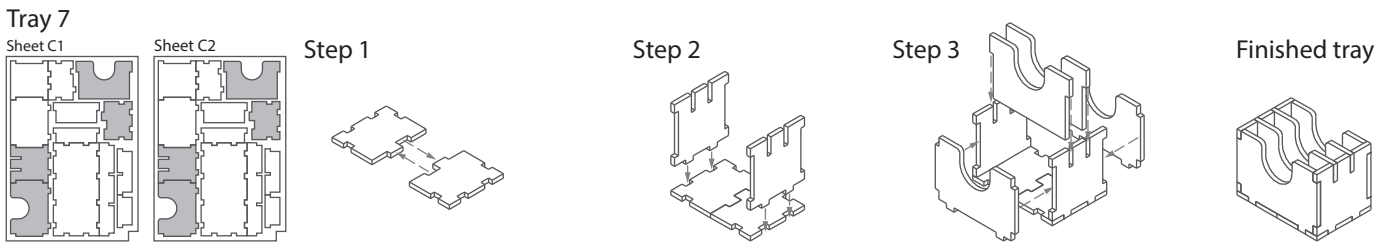
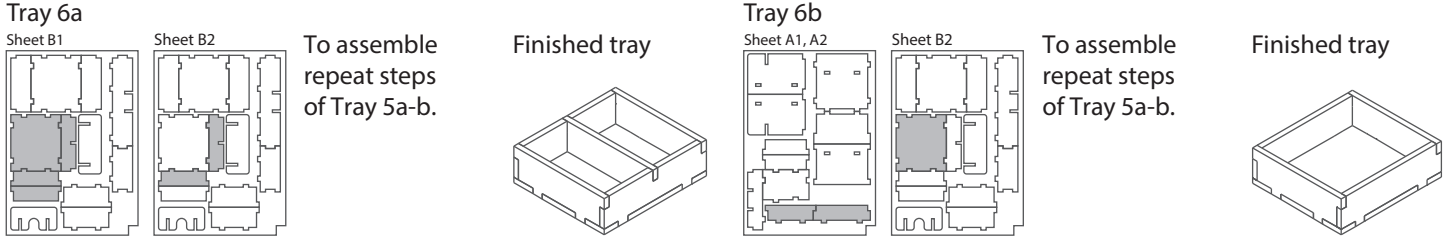
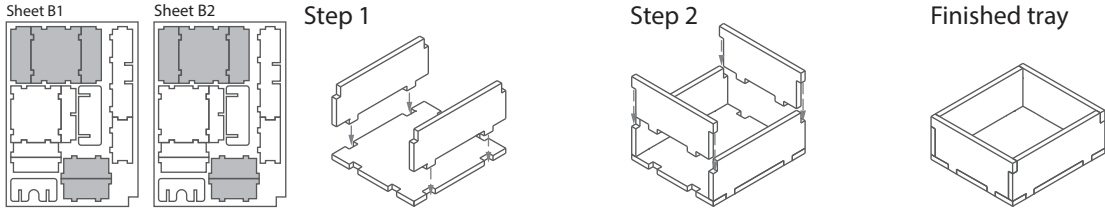


# FS-NMS+ insert compatible with Nemesis: Aftermath & Void Seeders®



incl. the Carnomorph® expansion

Tray 5a & 5b (the trays are identical)



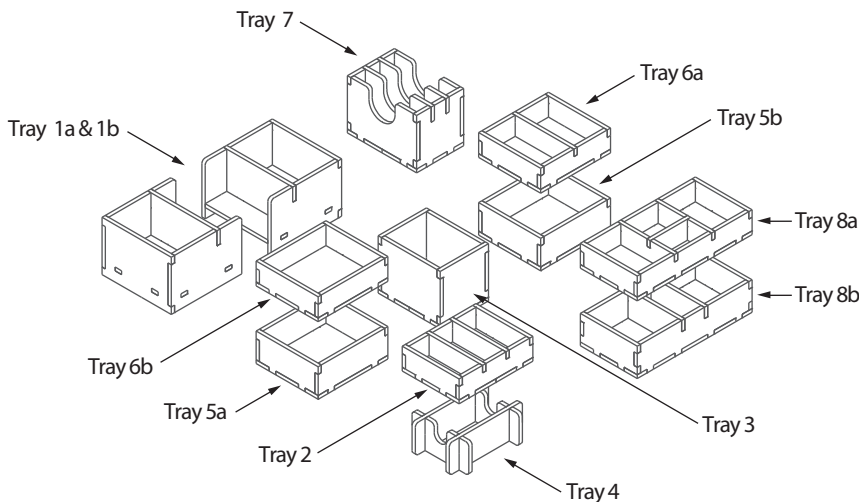
## FS-NMS+

Please check [www.foldedspace.net](http://www.foldedspace.net) for photos of this insert in use.

### Tray legend:

- Tray 1a, b - fleshbeast, butcher, stalker and catonaut miniatures
- Tray 2 - character and dog miniatures
- Tray 3 - despoiler miniature
- Tray 4 - hourglass
- Tray 5a, b - shambler miniatures
- Tray 6a - metagorger miniatures
- Tray 6b - lurker miniatures
- Tray 7 - Carnomorph expansion large cards
- Tray 8a - tokens
- Tray 8b - whisperer, turret and lair miniatures

Note: the remaining tiles, boards, cards and tokens from the expansions should be added to our FS-NMS insert inside the main Nemesis game box together with the similar components from the base game. Please check our website for details.



**Tip:** Keep the instructions in the bottom of your board game box as a reminder of how the insert fits together.